



**VALVE REGULATED
LEAD ACID BATTERY (V.R.L.A.)**



**ADVANCED ABSORBED GLASS
MAT TECHNOLOGY (A.G.M.)**



**10 YEAR DESIGN FOR UPS AND
STANDBY APPLICATIONS**



Features

- Flame-retardant polypropylene case and cover compliant with UL94 V-0 with an Oxygen Limiting Index of greater than 28%.
- Gas recombination greater than 99%.
- Operates at a low internal pressure.
- Never needs watering, minimal maintenance.
- 99.7% pure lead, calcium alloy grids.
- Shock absorbent thick wall polypropylene cases.
- Cold forged non-porous terminal bushings, eliminate post leakage.
- Thermally welded case to cover bond, eliminates both acid and electrical leaks.
- Over-sized, through the partition inter-cell welds provide low resistance connections, with minimal power loss.
- Flame arresting, low pressure safety release venting system for individual cells, recognized per U.L.924.
- Compliant with BS6290 Part 4 and IEC 896-2.
- Measured high vacuum acid fill, reduces electrical variability between cells.
- 100% recyclable materials.

Specifications

Cells per unit	6
Nominal voltage	12
Terminal type	Threaded copper insert
Short circuit current	3366 amps
Impedance @ 77°F 25°C	4.10 milliohms
Weight lbs / kgs	71.9 / 32.7
Electrolyte (S.G.)	1.300
Capacity @ 77°F (25°C)	82 AH (8 hrs) to 1.75 V.P.C.
Ideal operating temperature range	+68°F (+20°C) to +77°F (+25°C)
Extended operating temperature range	Discharge: -40°F (-40°C) to +140°F (+60°C) Charge: -4°F (-20°C) to +122°F (+50°C)
Float Voltage	13.5 to 13.8 @ 77°F (25°C)
Recommended maximum charging current	C/4 amperes at 100% discharge Unlimited at partial discharge.
AC ripple from charging source	1.5% peak to peak of float
Storage period without recharge	6 months at 77°F (25°C)

Options

- Terminal covers.
- Inter-connecting battery cables.
- Warranty extensions.
- Open, Cladded Rack and Cabinet options.

No transport restrictions

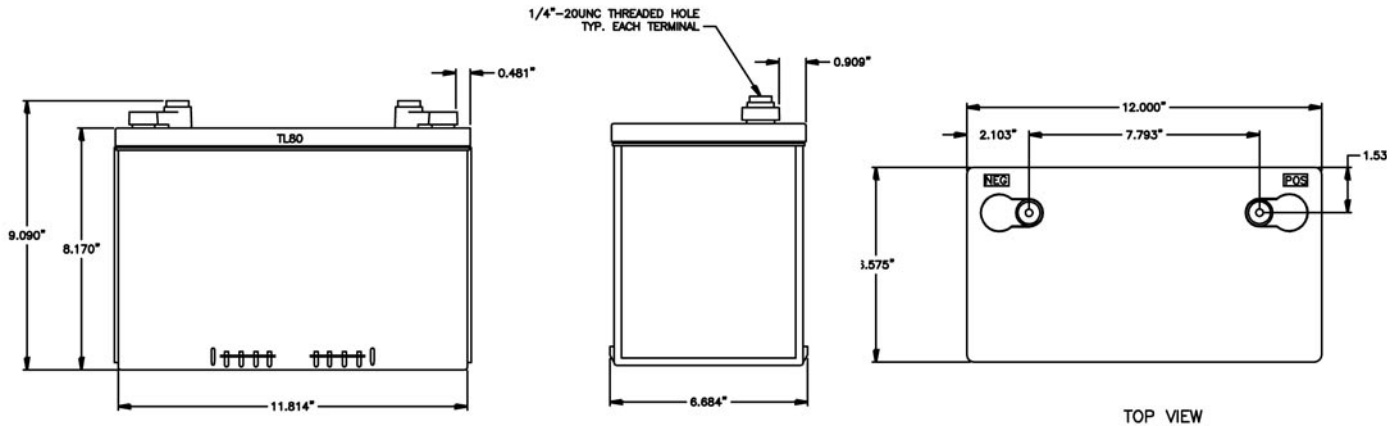
- Surface transport. Classified as non-hazardous material as relates to DOT-CFR Title 49 part 171-189.
- Maritime transport. Non hazardous as per IMDG amendment 27.
- Air transport. Non hazardous complies with IATA / ICAQ, special provision A67.

DISCHARGE SPECIFICATIONS

Constant power ratings, Watts per battery @ 77°F (25°C) in minutes

Final V.P.C.	5	10	15	20	30	40	45	50	60	90
1.60	3371	2501	1930	1579	1170	939	865	791	688	502
1.67	3257	2454	1909	1564	1161	933	860	787	685	501
1.70	3207	2436	1896	1555	1157	930	857	785	684	497
1.75	3041	2293	1827	1525	1146	922	850	778	678	496

Specifications subject to change without notice



Power Battery offers an extensive line of pre-wired and fused battery cabinets. Standard and custom DC voltages complete with breakers and chargers are available.



KS3 Cabinet Model



Open Rack



Cladded Rack

Constant current ratings, Amperes @ 77°F (25°C) in hours

Final V.P.C.	1	2	3	4	5	6	8	10	12	24
1.75	57.1	33.2	24.1	19.0	15.6	13.3	10.3	8.40	7.17	3.87
1.80	56.3	32.9	23.9	18.6	15.4	13.1	10.2	8.35	7.11	3.82
1.85	54.1	32.0	23.1	18.0	14.9	12.7	9.80	8.07	6.86	3.69
1.90	49.7	29.9	21.7	17.0	14.0	11.9	9.10	7.46	6.28	3.41

U.S.A.
Power Battery Company, Inc.
25 McLean Blvd.
Paterson, N.J. 07514-1507
Phone: (973) 523-8630
Fax: (973) 523-3023
E-mail: sales@powbat.com
Web page: www.powerbattery.com

CANADA
Power Battery (Iberville) Ltd.
770 Thomas Ave.
Iberville, Quebec, J2X 5E7
Phone: (450) 346-3273
Fax: (450) 346-8003
E-mail: powerbat@sympatico.ca
Web page: www.powerbattery.com

UK
Power Batteries Ltd.
Premier Way, Abbey Park Industrial Estate
Romsey, Hampshire, SO51 9AQ
Phone: +44 (0)1794 835900
Fax: +44 (0)1794 835910
E-mail: sales@powbat.co.uk
Web page: www.powbat.co.uk

ITALY
Power Battery Srl
Via Locatelli 105
20046 Biassono MI - ITALY
Phone: +(39) 039 2324571
Fax: +(39) 349 2499200
E-mail: calberti@powbat.it
Web page: www.powbat.it