

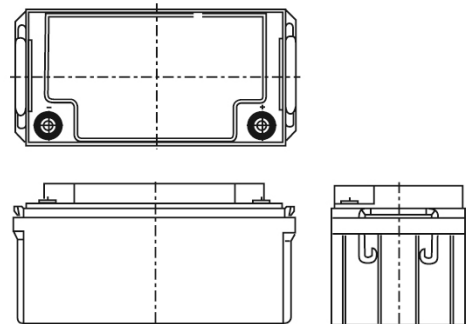
SWL-Series - Valve Regulated Lead Acid Battery

SWL1850 (FR)

SPECIFICATIONS		
Nominal voltage	12	V
10-min rate Constant Power to 9.6V at 20°C	1850	Watts
10-min rate Constant Power to 1.6V/cell at 20°C	308	Watts
10-hr rate Capacity to 10.8V at 20°C	66	Ah
DIMENSIONS		
Length	350 (±0.7)	mm
Width	166 (±0.5)	mm
Height	174 (±0.5)	mm
(height over terminals)	N/A	mm
Mass (typical)	23.0	kg
TERMINAL TYPE		
Female threaded terminal	M6	mm
Torque	4.8	Nm
OPERATING TEMPERATURE RANGE		
Storage (in fully charged condition)	-20°C to +50°C	
Charge	-15°C to +50°C	
Discharge	-20°C to +60°C	
STORAGE		
Capacity loss per month at 20°C (approx)	3	%
CASE MATERIAL		
Standard Option	ABS (UL.94:HB)	
Flame retardant option (FR)	ABS (UL94:V0)	
CHARGE VOLTAGE		
Float charge voltage at 20°C	13.65 (±1%)	V
	2.275 (±1%)	V/cell
Float Charge voltage temperature correction factor (for variations from the standard 20°C)	-3	mV/cell/°C
Cyclic (or Boost) charge at 20°C	14.5 (±3%)	V
	2.42 (±3%)	V/cell
Cyclic Charge voltage temperature correction factor (for variations from the standard 20°C)	-4	mV/cell/°C
CHARGE CURRENT		
Float charge current limit	No limit	A
Cyclic (or Boost) charge current limit	16.50	A
MAXIMUM DISCHARGE CURRENT		
1 second	800	A
1 minute	500	A
SHORT-CIRCUIT CURRENT & INTERNAL RESISTANCE (according to EN IEC 60896-21)		
Internal resistance	9.35	mΩ
Short-Circuit current	1529	A
IMPEDANCE		
Measured at 1 kHz	5	mΩ
PERFORMANCE & CHARACTERISTICS		
Refer to the technical manual	SWL	
DESIGN LIFE		
EUROBAT Classification: High Performance	10 to 12	years
Yuasa design life (at 20°C)	up to 10	years
SAFETY		
Installation	Can be installed and operated in any orientation except permanently inverted	
Handles	Batteries must not be suspended by their handles (where fitted)	
Vent valves	Each cell is fitted with a low pressure release valve to allow gasses to escape and then reseal.	
Gas Release	VRLA Batteries release hydrogen gas which can form explosive mixtures in air. Do not place inside a sealed container	
Recycling	YUASA's VRLA batteries must be recycled at the end of life in accordance with local and national laws and regulations	



LAYOUT



This battery type must never be installed suspended by their handles

3RD PARTY CERTIFICATIONS

ISO 9001 - Quality Management Systems
 ISO 14001 - Environmental Management Systems
 EN 18001 - OHSAS Management Systems
 TL4423-6 by DeTeImmobilien
 UNDERWRITERS LABORATORIES Inc.



STANDARDS

IEC61056
 IEC60896-21/22



ALL DATA IS SUBJECT TO CHANGE WITHOUT NOTICE
 Issue No.: V.3 / Issue Date: March2011



YUASA BATTERY
 SALES UK LTD.
 Unit 13, Hunts Rise
 South Marston
 Industrial Park
 Swindon
 SN3 4TG